

MATCH LETTER OR NUMBER WITH PRINT

DATE: 11/19/2019

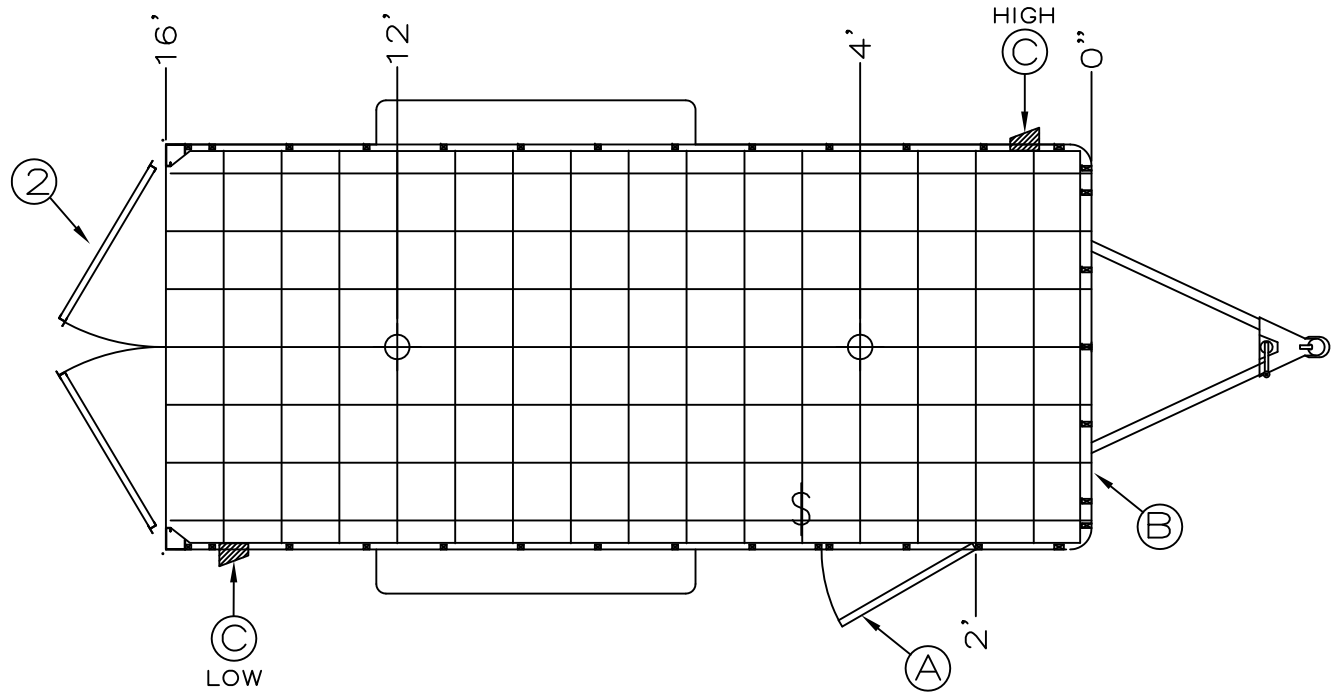
MODEL: AST716TA2

ORDER NUMBER: 000000

DEALER: BRAVO STOCK

PG: 1 OF 1

- 1 .030 ALUMINUM EXTERIOR W/CAP
- 2 DOUBLE REAR DOORS
  
- A 32" SIDE DOOR
- B 24" ATP STONEGUARD
- C 2-FLOW THRU SIDEWALL VENTS



KEY: :

12 VOLT ELECTRICAL	110 VOLT ELECTRICAL	ROOF VENTS	REVISION: _____
<ul style="list-style-type: none"> <li> - STANDARD LED DOME LIGHT</li> <li> - 4" ROUND LED DOME LIGHT</li> <li> - WALL SWITCH</li> </ul>	<ul style="list-style-type: none"> <li> - PANEL W/ LIFELINE &amp; CABLE HATCH</li> <li> - MOTOR BASE PLUG</li> <li> - 2 BULB FLUORESCENT</li> <li> - 1 BULB FLUORESCENT</li> </ul>	<ul style="list-style-type: none"> <li> - QUARTZ LIGHT</li> <li> - WALL SWITCH</li> <li> - 15 AMP RECEPT</li> <li> - 20 AMP RECEPT</li> <li> - GFI RECEPT</li> </ul>	<p>APPROVED: _____</p> <p>19319 COUNTY ROAD 8, BRISTOL IN 46507 PHONE: 574.848.7500 - FAX: 574.848.7550</p>
		<ul style="list-style-type: none"> <li> - N/P</li> </ul> <p>N/P = NON POWERED 12v = 12 VOLT POWERED 110v = 110 VOLT POWERED A/C = AIR CONDITIONER W/F = WIRE &amp; FRAME</p>	<ul style="list-style-type: none"> <li> - D RING</li> <li> - E TRACK</li> <li> - ATP</li> <li> - TIRE COMPARTMENT</li> </ul>
			<p>DRAWN BY: X X X X X</p>