

MATCH LETTER OR NUMBER WITH PRINT

DATE: 11/19/2019

MODEL: AST8526TA4

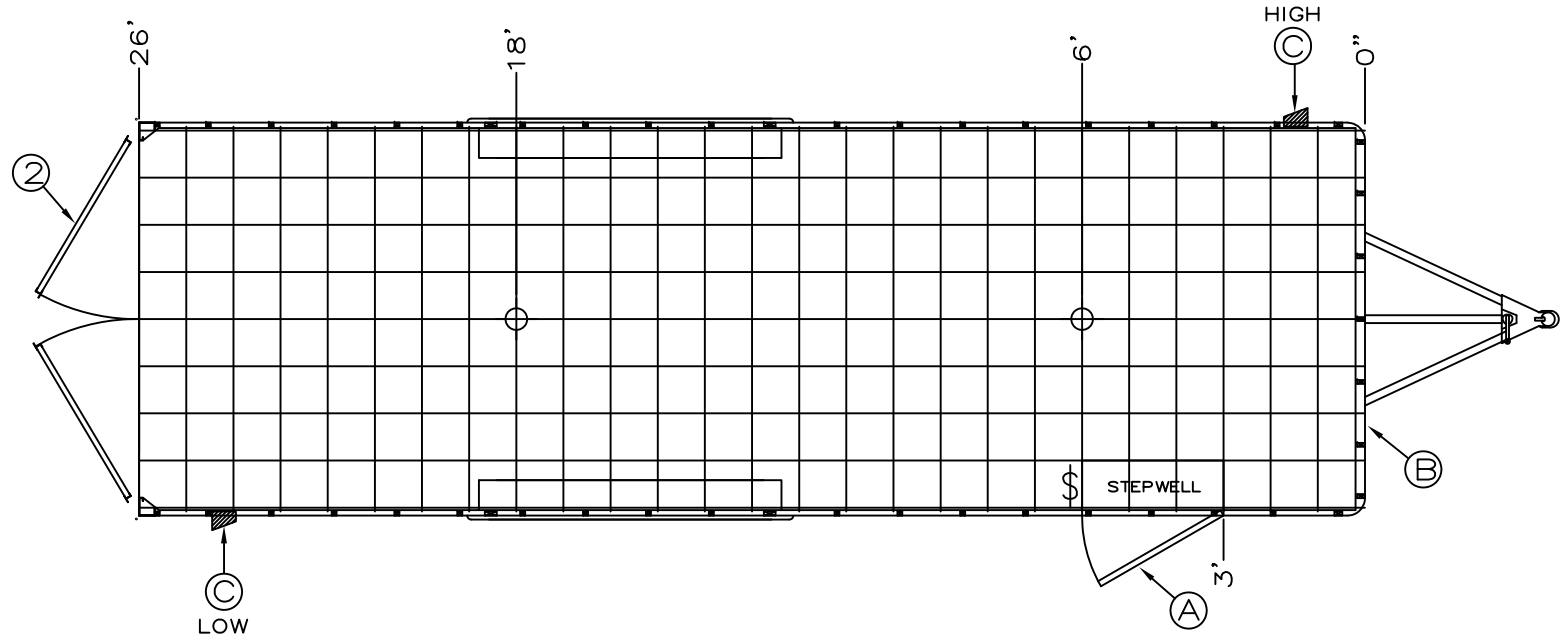
ORDER NUMBER: 00000

DEALER: BRAVO


PG: 1 OF 1

- 1 .030 ALUM. EXTERIOR W/
CAP
- 2 DOUBLE REAR DOORS

- A 1-36" SIDE DOOR
- B 24" ATP STONEGUARD
- C 2-FLOW THRU SIDEWALL
VENTS



KEY: :

12 VOLT ELECTRICAL	110 VOLT ELECTRICAL	ROOF VENTS	REVISION: _____
<ul style="list-style-type: none"> ○ - STANDARD LED DOME LIGHT ⊕ - 4" ROUND LED DOME LIGHT ⌘ - WALL SWITCH 	<ul style="list-style-type: none"> ▭ - PANEL W/ LIFELINE & CABLE HATCH △ - MOTOR BASE PLUG ▭ - 2 BULB FLUORESCENT ▭ - 1 BULB FLUORESCENT 	<ul style="list-style-type: none"> ⊙ - QUARTZ LIGHT ⌘ - WALL SWITCH ○ - 15 AMP RECEPT ● - 20 AMP RECEPT ⊙ - GFI RECEPT 	<p>APPROVED: _____</p>  <p>19319 COUNTY ROAD 8, BRISTOL IN 46507 PHONE: 574.848.7500 - FAX: 574.848.7550</p>
		<ul style="list-style-type: none"> N/P - NON POWERED 12v = 12 VOLT POWERED 110v = 110 VOLT POWERED A/C = AIR CONDITIONER W/F = WIRE & FRAME 	<ul style="list-style-type: none"> X - D RING E - E TRACK ⊗ - ATP (T/C) - TIRE COMPARTMENT
			<p>DRAWN BY: XXXXX</p>