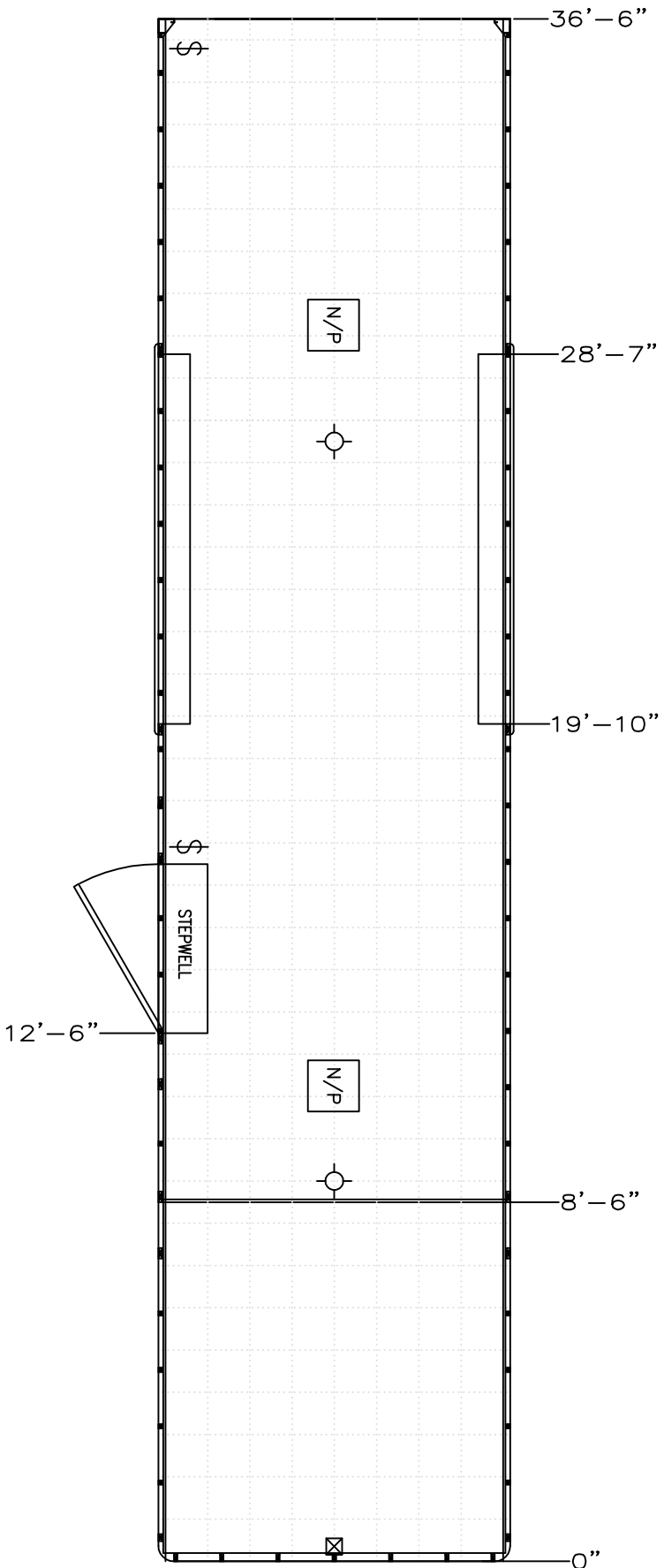


CUSTOMER:

DATE:

MODEL: STG8536TTA



☐ STANDARD LED RISER LIGHT IN RISER

KEY:

NOTES	12 VOLT ELECTRICAL	110 VOLT ELECTRICAL	ROOF VENTS	X - D RING	COMPARTMENT
	<ul style="list-style-type: none"> ○ - STANDARD LED DOME LIGHT ⊕ - 4" ROUND LED DOME LIGHT Ⓢ - WALL SWITCH 	<ul style="list-style-type: none"> ☐ - PANEL W/ LIFELINE & CABLE HATCH △ - MOTOR BASE PLUG ⊏ - 2 BULB FLUORESCENT ⊏ - 1 BULB FLUORESCENT 	<ul style="list-style-type: none"> ⊙ - QUARTZ LIGHT Ⓢ - WALL SWITCH ○ - 15 AMP RECEPT ● - 20 AMP RECEPT ⊙ - GFI RECEPT 	<ul style="list-style-type: none"> ☐ N/P 	<ul style="list-style-type: none"> ⊗ - ATP ⊕ - TIRE
			<ul style="list-style-type: none"> N/P = NON POWERED 12V = 12 VOLT POWERED 110V = 110 VOLT POWERED A/C = AIR CONDITIONER W/F = WIRE & FRAME 		

PROPRIETARY AND CONFIDENTIAL

THE INFORMATION CONTAINED IN THIS DRAWING IS THE SOLE PROPERTY OF BRAVO TRAILERS LLC. ANY REPRODUCTION IN PART OR AS A WHOLE WITHOUT THE WRITTEN PERMISSION OF BRAVO TRAILERS LLC IS PROHIBITED.

